



Franklin Electric

RWK6 SERIES 50 Hz

6" REWINDABLE SUBMERSIBLE MOTORS



INDEX

6" REWINDABLE SUBMERSIBLE MOTORS 4

Product Overview..... 5

Features & benefits 5

Specifications..... 5

Options 5

Motor identification code..... 5

Performance..... 6

Motor leads..... 7

Dimensions..... 7

Part list 8

Motor spare parts 9

Max. permitted length of electric cables (DOL).....10

Franklin Electric S.r.l. reserves the right to amend specification without prior notice.
 For the most up-to-date product information, visit franklinwater.eu.

6" Rewindable submersible motors

Technical details



PRODUCT OVERVIEW

FEATURES & BENEFITS

- Motors are built to operate in wells of 6" and larger
- Maintenance free water lubricated radial and axial bearings
- Rubber diaphragm and pressure valve for pressure balancing
- Removable winding covers for easy repairing and reduced maintenance cost

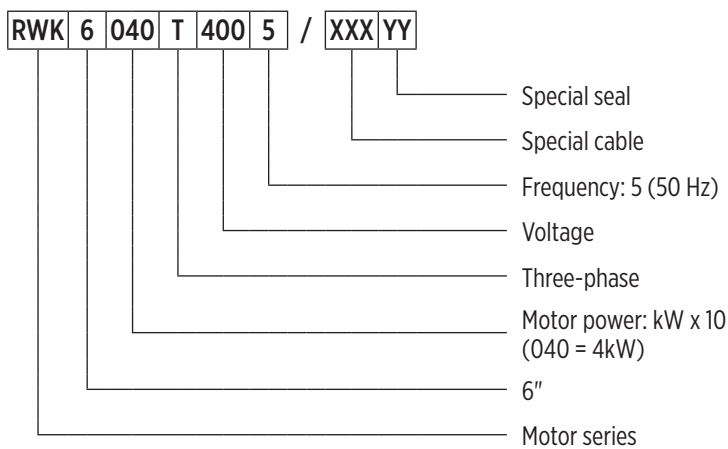
SPECIFICATIONS

- Motors power range: 4 - 45kW
- 6" NEMA connection
- LPE / PPC winding wire
- Motors installation: Vertical / Horizontal operation (except 45kW)
- Voltage tolerance: $\pm 10\%$
- Maximum liquid temperature: 50 °C
- 50-60 Hz
- Starts per hour: 10
- Min. cooling flow: 0,5 m/s
- Rubber cable length: 4 m
- Mechanical seal material: Carbon / Ceramic
- DOL starting: 4 - 45kW
- Standard windings: 380 V - 400 V - 415 V in 50 Hz
- Filled with mixture of water and glycol (FP -15 °C)
- Suitable for VFD operation (30 Hz min. frequency)

OPTIONS

- Mechanical seal: Silicon carbide
- Starting method: S/D
- For further specialties, contact Franklin Electric office

MOTOR IDENTIFICATION CODE



00140102_02/2024

PERFORMANCE

Motor type	Power		Frequency [Hz]	Voltage [V]	Current range [A]	Efficiency $\eta\%$				Power factor $\cos \phi$			[rpm]
	[kW]	[HP]				100%	50%	75%	100%	50%	75%	100%	
RWK6040T4005	4	5.5	50	380	10.8	62.5	66.5	69.3	0.67	0.78	0.83	2900	
				400	10.4	58.7	68	71.4	0.63	0.73	0.8	2914	
				415	10.7	58.4	66.3	69.8	0.59	0.7	0.77	2924	
RWK6055T4005	5.5	7.5		380	13.4	69.3	73.3	72.8	0.73	0.81	0.86	2867	
				400	13.2	65.8	69.8	72.2	0.69	0.78	0.84	2878	
				415	13.4	63.9	70.5	71.2	0.63	0.74	0.81	2885	
RWK6075T4005	7.5	10		380	17.5	70.7	74	75.9	0.69	0.8	0.84	2864	
				400	17.8	66.9	73.3	73.8	0.64	0.75	0.81	2871	
				415	18	67.6	72.4	74	0.58	0.7	0.77	2878	
RWK6092T4005	9.2	12.5		380	22.2	70.9	74.5	75	0.66	0.77	0.84	2873	
				400	22.5	68.1	73.4	74.6	0.61	0.73	0.8	2888	
				415	23	65.1	71.8	73.7	0.56	0.68	0.76	2890	
RWK6110T4005	11	15		380	25.7	76.4	77.9	77.4	0.66	0.77	0.84	2863	
				400	25.7	72	75.4	77	0.63	0.75	0.81	2880	
				415	25.7	71.6	76.1	77.1	0.58	0.7	0.78	2891	
RWK6130T4005	13	17.5		380	29.4	76.6	78.5	78.5	0.69	0.8	0.85	2870	
				400	29.6	73.2	77.6	78	0.62	0.74	0.81	2882	
				415	29.8	71.6	75.9	77.5	0.57	0.7	0.78	2888	
RWK6150T4005	15	20	380	32.8	76.2	79.6	81	0.66	0.78	0.84	2874		
			400	34	72.5	77.2	78.6	0.6	0.73	0.8	2884		
			415	35	70.7	75.9	77.5	0.55	0.67	0.76	2890		
RWK6185T4005	18.5	25	380	41.2	78.3	80.2	79.8	0.68	0.79	0.85	2865		
			400	41.7	74.6	78.7	78.9	0.62	0.74	0.81	2875		
			415	42.3	73.2	78.7	78.8	0.56	0.69	0.77	2881		
RWK6220T4005	22	30	380	48	79.7	81.6	81.1	0.68	0.8	0.86	2858		
			400	48.3	77.3	80.2	80.4	0.62	0.74	0.82	2868		
			415	49.2	74.7	78.7	80.1	0.57	0.7	0.78	2874		
RWK6260T4005	26	35	380	56	79.8	81.6	81.2	0.7	0.81	0.86	2855		
			400	55	79.7	80.8	81.5	0.63	0.76	0.83	2868		
			415	56	75.8	80.3	80.1	0.59	0.72	0.8	2874		
RWK6300T4005	30	40	380	65	80.1	81.1	80.7	0.67	0.79	0.85	2848		
			400	65.3	77.6	82.2	80.3	0.61	0.74	0.81	2865		
			415	66.5	76.3	79.2	80.2	0.55	0.69	0.77	2878		
RWK6370T4005	37	50	380	77	77	80	79.6	0.72	0.82	0.87	2837		
			400	76.5	80.6	83.2	82.2	0.65	0.77	0.84	2850		
			415	77.8	79.2	82.8	82.1	0.6	0.73	0.8	2858		
RWK6450T4005	45	60	380	95	81.6	83.2	82.1	0.69	0.81	0.86	2850		
			400	94	79.3	82.6	85.3	0.62	0.74	0.82	2861		
			415	95.5	77.8	81.2	81.7	0.57	0.71	0.79	2866		

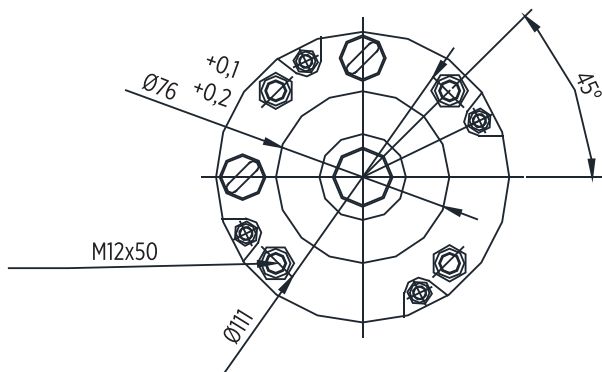


MOTOR LEADS

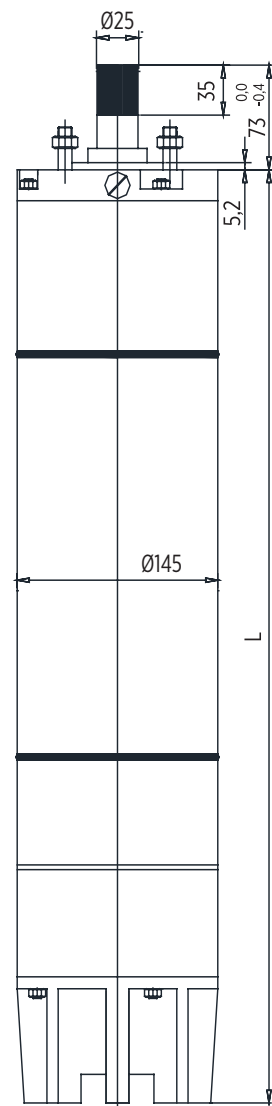
Motor type	Power		Lead [mm ²]	Cable length [m]
	[kW]	[HP]	380 V / 400 V / 415 V 50 Hz	
			DOL	
RWK6040T4005	4	5.5	4 x 2,5	4
RWK6055T4005	5.5	7.5	4 x 2,5	
RWK6075T4005	7.5	10	4 x 2,5	
RWK6092T4005	9.2	12.5	4 x 2,5	
RWK6110T4005	11	15	4 x 2,5	
RWK6130T4005	13	17.5	4 x 2,5	
RWK6150T4005	15	20	4 x 4	
RWK6185T4005	18.5	25	4 x 4	
RWK6220T4005	22	30	4 x 4	
RWK6260T4005	26	35	4 x 6	
RWK6300T4005	30	40	4 x 6	
RWK6370T4005	37	50	4 x 10	
RWK6450T4005	45	60	4 x 10	

DIMENSIONS

Motor type	Power		Axial thrust [N]	Length [mm]	Weight [kg]
	[kW]	[HP]			
RWK6040T4005	4	5.5	26000	630	46
RWK6055T4005	5.5	7.5	26000	630	46
RWK6075T4005	7.5	10	26000	650	48
RWK6092T4005	9.2	12.5	26000	690	50
RWK6110T4005	11	15	26000	730	56
RWK6130T4005	13	17.5	26000	780	60
RWK6150T4005	15	20	26000	830	66
RWK6185T4005	18.5	25	26000	880	72
RWK6220T4005	22	30	26000	980	82
RWK6260T4005	26	35	26000	1030	88
RWK6300T4005	30	40	30000	1110	98
RWK6370T4005	37	50	30000	1190	106
RWK6450T4005	45	60	30000	1270	116



00130349 03/2024



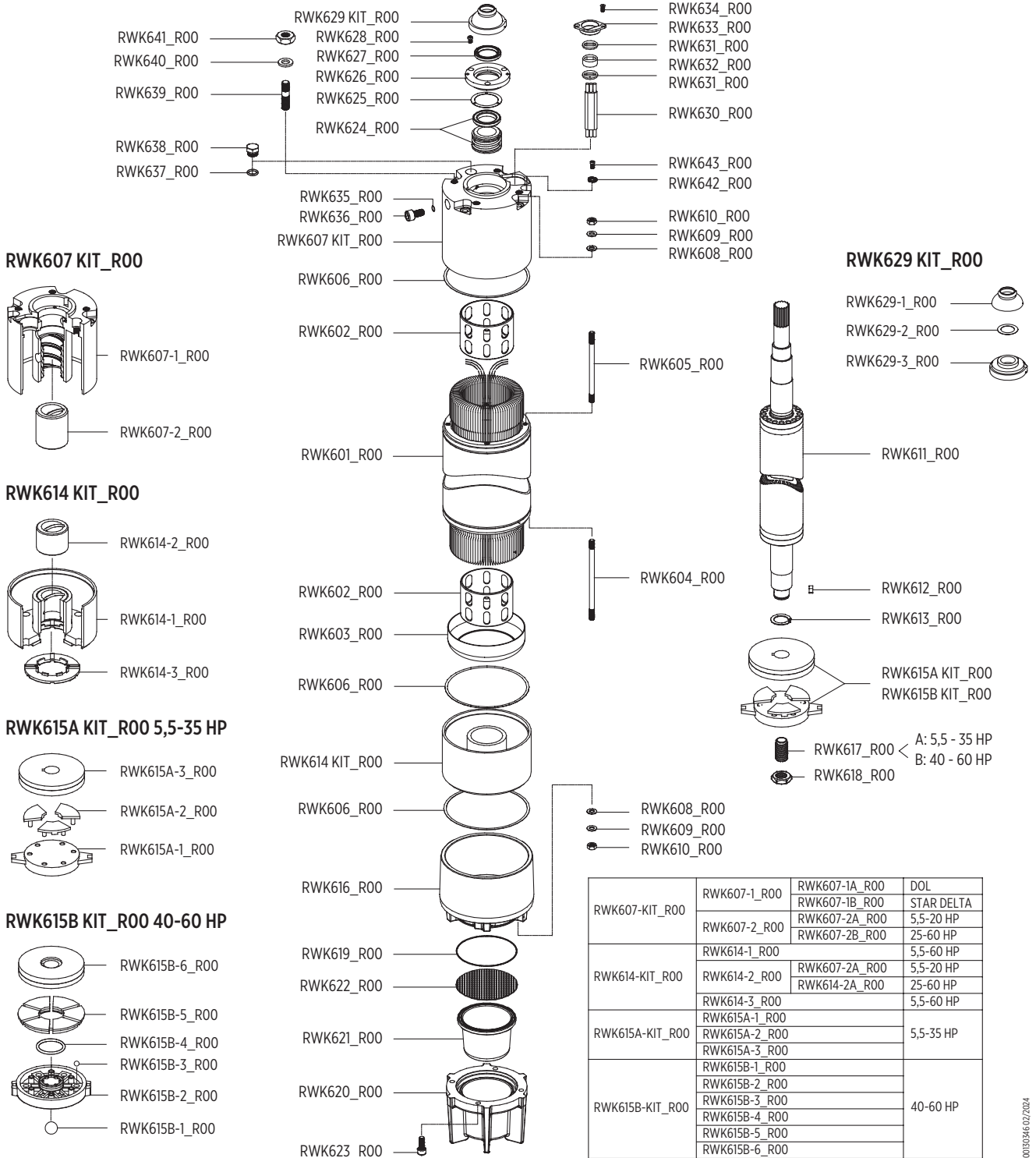
00130350 03/2024

PART LIST

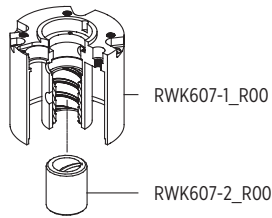
	Part No.	Parts description	Material
	RWK601_R00	Stator	Lam. Sheet
	RWK602_R00	End Turn Protector (Internal)	POM
	RWK603_R00	End Turn Protection Cover (External)	POM
	RWK604_R00	Stud (Bottom)	AISI 304
	RWK605_R00	Stud (Top)	AISI 304
	RWK606_R00	Gasket	Klingelite
RWK607 KIT_R00	RWK607 KIT_R00	Top End Bell Kit	-
	RWK607-1A_R00	Top End Bell (DOL)	Cast Iron
	RWK607-1B_R00	Top End Bell (S/D)	Cast Iron
	RWK607-2A_R00	Radial Bearing (5,5-20 HP)	Carbon
	RWK607-2B_R00	Radial Bearing (25-60 HP)	Carbon
	RWK608_R00	Washer	POM
	RWK609_R00	Washer	AISI 304
	RWK610_R00	Nut	AISI 304
	RWK611_R00	Rotor	Lam. Sheet
	RWK612_R00	Key (Thrust Bearing)	Steel
RWK613_R00	Snap Ring (Thrust Bearing)	Steel	
RWK614 KIT_R00	RWK614 KIT_R00	Bottom End Bell Kit	-
	RWK614-1_R00	Bottom End Bell	Cast. Iron
	RWK607-2A_R00	Radial Bearing (5,5-20 HP)	Carbon
	RWK614-2A_R00	Radial Bearing (25-60 HP)	Carbon
	RWK614-3_R00	Uphrust Washer	Polyamide
RWK615A KIT_R00	RWK615A KIT_R00	Thrust Bearing Kit (5,5-35 HP)	-
	RWK615A-1_R00	Leveling Disc	Cast. Iron
	RWK615A-2_R00	Thrust Segment	AISI 420
RWK615A-3_R00	Thrust Bearing Disc	Carbon	
RWK615B KIT_R00	RWK615B KIT_R00	Thrust Bearing Kit (40-60 HP)	-
	RWK615B-1_R00	Thrust Bearing Ball	AISI 304
	RWK615B-2_R00	Thrust Segment Holder	Brass
	RWK615B-3_R00	Thrust Segment Ball	AISI 304
	RWK615B-4_R00	Thrust O'Ring	NBR
	RWK615B-5_R00	Thrust Segment	AISI 420
	RWK615B-6_R00	Thrust Bearing Disc	Carbon
RWK616_R00	Thrust Housing	Cast Iron	
RWK617_R00	Screw (Shaft Adjusting)	AISI 420	
RWK618_R006	Nut (Shaft Adjusting)	Steel	
RWK619_R00	O'Ring	NBR	
RWK620_R00	Diaphragm Cover	Cast Iron	
RWK621_R00	Diaphragm	NBR	
RWK622_R00	Diaphragm Lid	AISI 430	
RWK623_R00	Diaphragm Cover Screw	AISI 304	
RWK624_R00	Shaft Seal	Carbon / Ceramic	
RWK625_R00	Shaft Seal Washer	Fibre	
RWK626_R00	Seal Cover	AISI 420	
RWK627_R00	Lipseal	NBR	
RWK628_R00	Seal Cover Screw	Steel	
RWK629 KIT_R00	RWK629 KIT_R00	Sand Slinger Kit	-
	RWK629-1_R00	Sand Slinger	NBR
	RWK629-2_R00	Sand Slinger Washer	AISI 304
	RWK629-3_R00	Sand Slinger Cover	PPO
RWK630_R00	Lead	Cable	
RWK631_R00	Lead Spacer	POM	
RWK632_R00	Lead Seal	EPDM	
RWK633_R00	Lead Clamp	AISI 304	
RWK634_R00	Lead Clamp Screw	AISI 304	
RWK635_R00	Filling Plug O'Ring	NBR	
RWK636_R00	Filling Plug	AISI 304	
RWK637_R00	Relief Valve O'Ring	NBR	
RWK638_R00	Relief Valve	Brass	
RWK639_R00	Pump Assembly Studs	AISI 304	
RWK640_R00	Lock Washer	AISI 304	
RWK641_R00	Pump Assembly Nut	AISI 304	
RWK642_R00	Lock Washer for Grounding	AISI 304	
RWK643_R00	Ground Screw	AISI 304	

Specify motor power and start method while ordering a spare part.

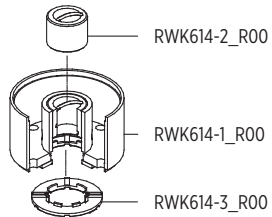
MOTOR SPARE PARTS



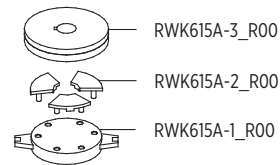
RWK607 KIT_R00



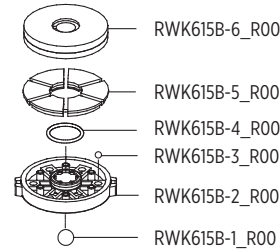
RWK614 KIT_R00



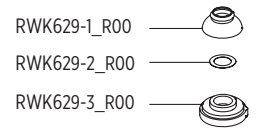
RWK615A KIT_R00 5,5-35 HP



RWK615B KIT_R00 40-60 HP



RWK629 KIT_R00



RWK607-KIT_R00	RWK607-1_R00	RWK607-1A_R00	DOL
	RWK607-2_R00	RWK607-1B_R00	STAR DELTA
RWK614-KIT_R00	RWK614-1_R00	RWK607-2A_R00	5,5-20 HP
	RWK614-2_R00	RWK607-2B_R00	25-60 HP
RWK615A-KIT_R00	RWK614-3_R00	RWK607-2A_R00	5,5-20 HP
	RWK615A-1_R00	RWK614-2A_R00	25-60 HP
	RWK615A-2_R00		5,5-60 HP
RWK615B-KIT_R00	RWK615A-3_R00		
	RWK615B-1_R00		5,5-35 HP
	RWK615B-2_R00		
	RWK615B-3_R00		
	RWK615B-4_R00		
	RWK615B-5_R00		40-60 HP

0010346.02/2024

MAX. PERMITTED LENGTH OF ELECTRIC CABLES (DOL)

Motor power		DOL												
		Cable size [mm ²] - Copper wire (Rated insulation: 90°C)												
[kW]	[HP]	2.5	4	6	10	16	25	35	50	70	95	120	150	185
4	5.5	95	155	230	385	605	915							
5.5	7.5	70	110	170	280	440	670	915						
7.5	10	50	80	126	205	325	500	685	935					
9.2	12.5	40	65	100	170	270	410	565	770	1030				
11	15		55	85	140	225	345	470	645	865	1110			
13	17.5		50	75	125	195	300	410	560	750	965			
15	20		40	65	105	170	265	360	495	665	855	1030		
18.5	25			50	85	140	210	290	400	530	680	810	950	
22	30				75	120	180	250	340	455	585	700	815	945
26	35				60	100	150	210	290	385	500	600	705	815
30	40					85	135	185	250	335	430	515	600	695
37	50						105	150	205	270	350	420	485	565
45	60						90	125	175	235	310	375	445	520



Franklin Electric

Franklin Electric Europa GmbH
Rudolf-Diesel-Str. 20 - 54516 Wittlich
GERMANY
Phone: +49 (0) 6571 - 105-0
Fax: +49 (0) 6571 - 105-510
Email: info@franklin-electric.de

Franklin Electric S.r.l.
Via Asolo, 7 - 36031 Dueville (Vicenza)
ITALY
Phone: +39 0444 361114
Fax: +39 0444 365247
Email: sales.it@fele.com



10000018536 EN REV.00_03-2024



franklinwater.eu

Single member - Company subject to the control and coordination of Franklin Electric Co., Inc.
Franklin Electric S.r.l. reserves the right to amend specification without prior notice.