

June 2023

Little GIANT® 5-MSP utility pump now available on Franklin Electric Product Portfolio

Franklin Electric extends its product range with the series of Little Giant utility pumps.

Designed for extreme portability and lightweight enough to keep on hand for unexpected jobs, these small but mighty pumps offer convenient and efficient temporary clear water removal from basements, crawlspaces, loading docks – just about anywhere water can make an uninvited appearance.



APPLICATIONS

The 5-Series is one of the most compact utility pumps on the market, ideal for light commercial and residential applications where water removal, transfer or circulation is required. 5-Series pumps are great for multi-purpose utility applications.

FEATURES

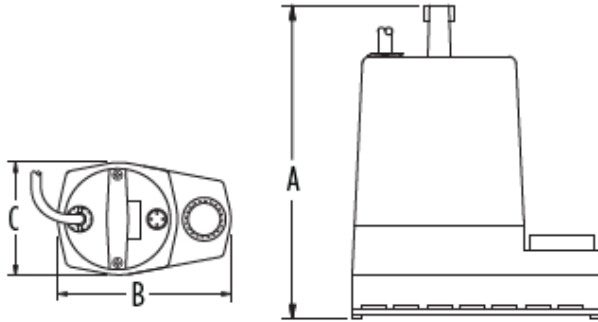
- Corrosion and rust-resistant materials
- Rated for continuous duty which allow a wide range of applications
- Compact design and light weight make this pump truly portable.
- Environmentally friendly, energy efficient and oil free 180 W PSC motor, Max. flow: 88 l/min
- FKM triple-lip seal
- 1" BSPT discharge
- Garden hose adapter 3/4" NPT and garden rubber holder adapter 20 mm
- Manual operation: pumping down to 3.2 mm with screen and down to 1.6 mm without screen reduces overall water removal clean up time and effort.
- Maximum solids size: 3 mm
- Standard power cable: 10 m with Schuko plug
- Maximum liquid temperature: 49 °C

PARTS AND MATERIAL

Parts description	Material
Motor housing	Epoxy-coated cast aluminum
Semi-open impeller	Nylon
Volute	Nylon
Motor shaft	Stainless steel
Shaft seal	FKM
Fasteners	Stainless steel
Bearings	Bronze sleeve
Power cable	H05RN-F

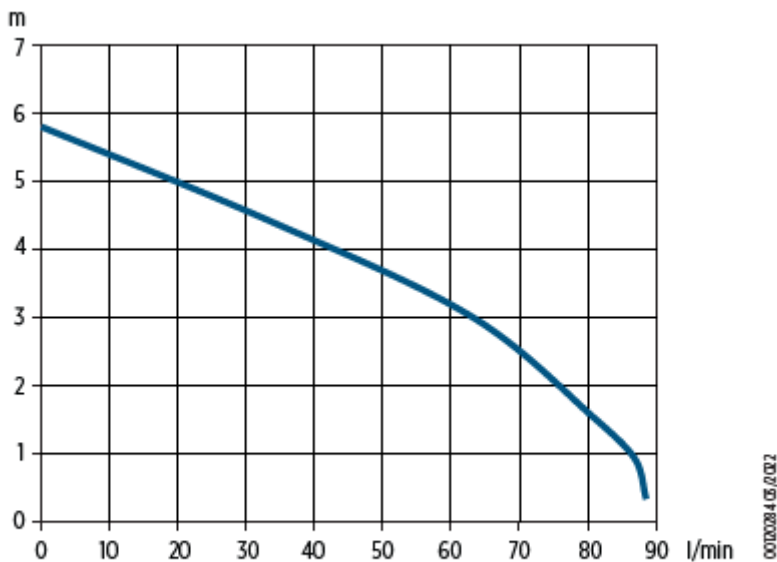
TECHNICAL DATA

Code	Model	Watts	Volts	[Hz]	Amps FLA	Shut-Off [m]	[bar]	Switch type/ Operation	Cable [m]	Weight [Kg]	Dimensions [cm]		
											A	B	C
505726	5-MSP	180	230	50	0.9	5.8	0.57	Manual	10	5.1	20.50	15.50	10.90



HYDRAULIC PERFORMANCE 50 HZ

Versions		Q = Delivery					
		l/min 0	33.3	62.3	80.11	86	87.7
Input voltage	[Hz]	H = Total meters head of water column [m]					
230	50	5.8	4.4	3	1.5	0.9	0.3



The hydraulic characteristics are guaranteed, according to ISO standard 9906, grade 3B

For more information, please refer to our website franklinwater.eu