

CP SERIES

APPLICATIONS

- For use in evaporative coolers, sales displays, laboratories, water bath circulation and many other uses. Ideal as a universal OEM replacement pump
- Ideal for residential, commercial, and industrial cooler pump replacement

FEATURES

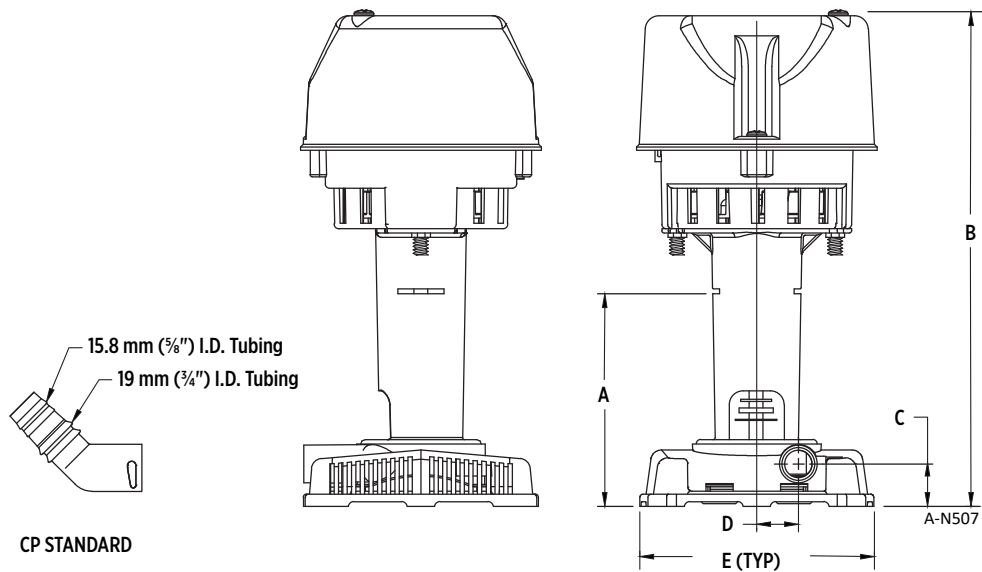
- Concentric fan-cooled double coil motor
- Thermal overload protection
- One-piece corrosion resistant steel shaft
- Universal mounting configurations
- 45° discharge adapter
- Optional 90° elbow with bleed off port available
- Low pump down and recovery level
- Grounded electric plug
- 1.5 m (5') electric cord on CP1 and CP2 models
- 1.8 m (6") electric cord on CP3 models
- Flame retardant housing
- Snap-off volute plate for easy cleaning



SPECIFICATIONS

Code	Model	HP	Input Voltage	Hz	Amps	Watts	Discharge Size	Shut-Off [m]	Bar	Cord [m]	Weight [kg]
540015	CP1-230	1/30	230	50	0.4	70	1/2", 5/8", 3/4"	2.9 (9.5')	0.3	1.5 (5')	1.1 (2.5 lbs)
541015	CP2-230	1/30	230	50	0.5	80	5/8", 3/4"	3.4 (11')	0.34	1.5 (5')	1.4 (3 lbs)
542015	CP3-230	1/30	230	50	0.56	90	5/8", 3/4"	3.7 (12')	3.6	1.8 (6')	1.6 (3.5 lbs)

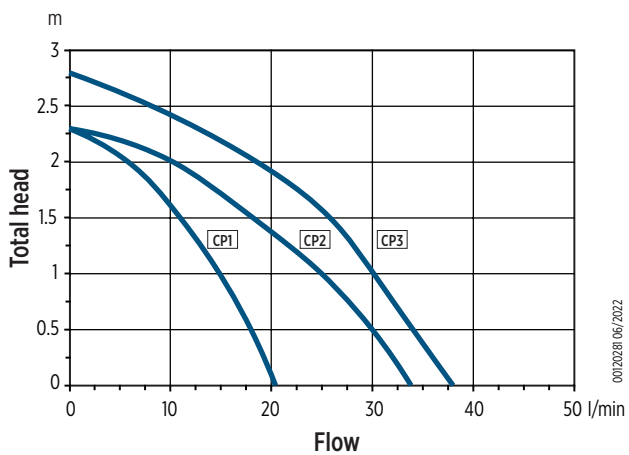
DIMENSIONS



CP STANDARD

A	B	C	D	E
98 mm (3.85")	227.5 mm (8.95")	20.5 mm (0.8")	20 mm (0.78")	108 mm (4.25")

PERFORMANCE DATA



00120281 06/2022

MATERIAL

Part description	Material
Motor	Heavy duty fan cooled
Housing	Flame retardant thermal plastic
Motor Cover	Flame retardant thermal plastic
Volute	Flame retardant thermal plastic
Impeller	Polyester
Mounting Bracket	Galvanized steel

Model	Q = DELIVERY					
	l/min 0	5.8	11	14.7	18	20.4
	US GPM 0	1.5	2.9	3.9	4.75	5.4
H = TOTAL HEAD METRES COLUMN OF WATER [m]						
CP1	2.3	2	1.5	1	0.5	-
	l/min 0	10.5	18.3	25	30	33.8
CP2	2.3	2	1.5	1	0.5	-
	l/min 0	18.7	25.8	30	34.2	38
CP3	2.8	2	1.5	1	0.5	-
	US GPM 0	4.9	6.8	7.9	9	10