

# Little GIANT<sup>®</sup>

## APCP-1700 SERIES

POOL COVER PUMP



Little Giant Pool Cover Pumps help safeguard and protect the pool cover from prolonged accumulation of rain or melting snow.



# APCP-1700 AUTOMATIC POOL COVER PUMP

## APPLICATION

Automatic pool cover pump designed specifically for pool cover draining

## FEATURES


- Removable intake screen for easy cleaning and maintenance
- Built-in handle for portability and ease of placement and removal
- Integrated float switch for automatic operation
- Side discharge for optimal water removal
- Weighted to attract water to the pump

## SPECIFICATION

- Head: up to 6.5 m / Flow: up to 108 l/min
- Min. head: 0.3 m at 108 l/min flow (1 ft at 1700 GPH flow)
- Higher flow for head heights of 0,3 m compared to similar pumps
- $P_1$ : 270 W /  $P_2$ : 0,25 kW ( $\frac{1}{3}$  HP)
- Voltage: 230 V / Frequency: 50 Hz / In: 1.2 A
- Temperature range of pumped liquid: 0 °C - 35 °C (EN60335-2-41)
- Ambient temperature: max. 35 °C
- Start/Stop Automatic: Start 6.3 cm (2" 1/2) / Stop: 2.5 cm (1")
- Protection degree: IP68
- 10 m cable with Schuko plug
- 3/4" garden hose connection

## SALES INFO



- Item number: 577303

- Certifications: 

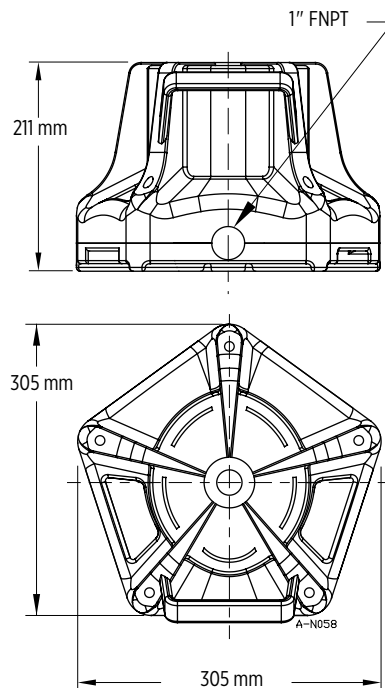
- Warranty:



## PRODUCT NAME PLATE

LG410009	<b>CAT.</b> Model number	 
	<b>MODEL APCP-1700</b>	
	Voltage <b>V~</b> Frequency [HZ]	Temp. max.
	Current <b>A</b> <b>PHASE</b>	IP grade
	<b>THERMALLY PROTECTED ENCLOSURE TYPE 3</b>	
<b>LITTLE GIANT OKLAHOMA CITY. OK. 73127 U.S.A.</b>	Serial number	
	<b>Made in China</b>	

## DIMENSIONS



00102027 01/2020

# LittleGIANT®

## PARTS DESCRIPTION

CONVENIENT HANDLE FOR EASE OF PLACEMENT

SIDE DISCHARGE PREVENTS HOSE FROM TIPPING OVER



GARDEN HOSE ADAPTER INCLUDED



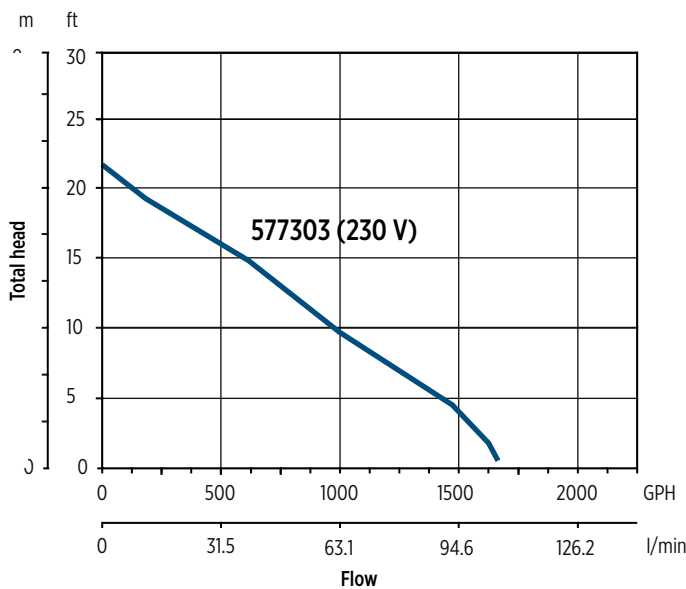
10 M CABLE WITH SCHUKO PLUG

INTEGRATED MECHANICAL FLOAT SWITCH

BUILT-IN SCREEN PREVENTS CLOGGING

## HYDRAULIC PERFORMANCE AT 230 V - 50 HZ

Q = DELIVERY													
l/min 0	8.3	17	25	33	42	50	58	67	75	83	92	100	108
l/h 0	498	1020	1500	1980	2520	3000	3480	4020	4500	4980	5520	6000	6480
US GPM 0	2.2	4.5	6.6	8.7	11	13.2	15.3	17.7	19.8	22	24.3	26.4	28.5
H = TOTAL HEAD METERS COLUMN OF WATER [m]													
6.5	6.2	5.7	5.2	4.7	4.2	3.7	3.2	2.7	2.2	1.8	1.3	0.8	0.3



\* 0.3 m at 108 l/min flow

The hydraulic characteristics are guaranteed, according to ISO standard 9906, grade 3B



[franklinwater.eu](http://franklinwater.eu)

Franklin Electric S.r.l.  
Via Asolo, 7 - 36031 Dueville (Vicenza) - ITALY  
Phone: +39 0444 361114 - Fax: +39 0444 365247  
Email: [sales.it@fele.com](mailto:sales.it@fele.com)

Single member - Company subject to the control and coordination of Franklin Electric Co., Inc.

Franklin Electric S.r.l. reserves the right to amend specification without prior notice.

00105046 EN\_REV01\_11/2020