

Little GIANT®

APCP-1700 SERIES

POOL COVER PUMP



Little Giant Pool Cover Pumps help safeguard and protect the pool cover from prolonged accumulation of rain or melting snow.



APCP-1700 AUTOMATIC POOL COVER PUMP

APPLICATION

Automatic pool cover pump designed specifically for pool cover draining

FEATURES

- Removable intake screen for easy cleaning and maintenance
- Built-in handle for portability and ease of placement and removal
- Integrated float switch for automatic operation
- Side discharge for optimal water removal
- Weighted to attract water to the pump

SPECIFICATION

- Head: up to 6.5 m / Flow: up to 108 l/min
- Min. head: 0.3 m at 108 l/min flow (1 ft at 1700 GPH flow)
- Higher flow for head heights of 0,3 m compared to similar pumps
- P_1 : 270 W / P_2 : 0,25 kW ($\frac{1}{3}$ HP)
- Voltage: 230 V / Frequency: 50 Hz / In: 1.2 A
- Temperature range of pumped liquid: 0 °C - 35 °C (EN60335-2-41)
- Ambient temperature: max. 35 °C
- Start/Stop Automatic: Start 6.3 cm (2" 1/2) / Stop: 2.5 cm (1")
- Protection degree: IP68
- 10 m cable with Schuko plug
- 3/4" garden hose connection

SALES INFO



- Item number: 577303

▪ Certifications:  

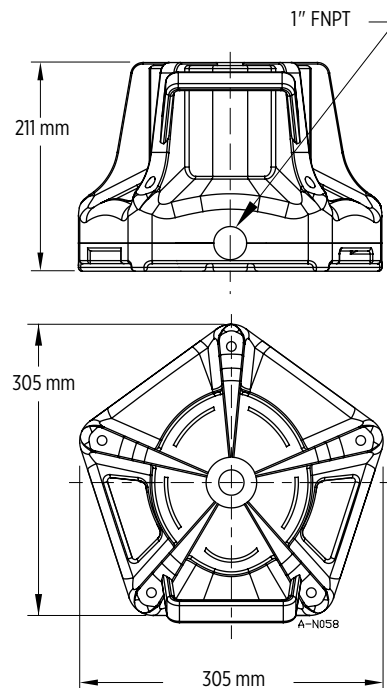
- Warranty:



PRODUCT NAME PLATE

| | | |
|---|---|---|
| LG410009 | CAT. Model number |   |
| | MODEL APCP-1700 | |
| | Voltage V~ Frequency [HZ] | Temp. max. |
| | Current A PHASE | IP grade |
| | THERMALLY PROTECTED ENCLOSURE TYPE 3 | |
| LITTLE GIANT OKLAHOMA CITY. OK. 73127 U.S.A. | Serial number | Made in China |

DIMENSIONS



0010027 01/2020

LittleGIANT®

PARTS DESCRIPTION

CONVENIENT HANDLE FOR EASE OF PLACEMENT

SIDE DISCHARGE PREVENTS HOSE FROM TIPPING OVER



GARDEN HOSE ADAPTER INCLUDED



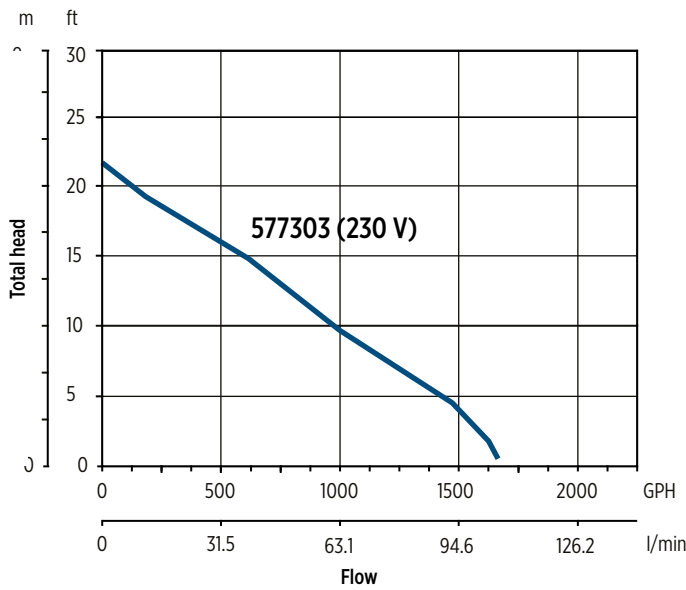
10 M CABLE WITH SCHUKO PLUG

INTEGRATED MECHANICAL FLOAT SWITCH

BUILT-IN SCREEN PREVENTS CLOGGING

HYDRAULIC PERFORMANCE AT 230 V - 50 HZ

| Q = DELIVERY | | | | | | | | | | | | | |
|---|-----|------|------|------|------|------|------|------|------|------|------|------|------|
| l/min 0 | 8.3 | 17 | 25 | 33 | 42 | 50 | 58 | 67 | 75 | 83 | 92 | 100 | 108 |
| l/h 0 | 498 | 1020 | 1500 | 1980 | 2520 | 3000 | 3480 | 4020 | 4500 | 4980 | 5520 | 6000 | 6480 |
| US GPM 0 | 2.2 | 4.5 | 6.6 | 8.7 | 11 | 13.2 | 15.3 | 17.7 | 19.8 | 22 | 24.3 | 26.4 | 28.5 |
| H = TOTAL HEAD METERS COLUMN OF WATER [m] | | | | | | | | | | | | | |
| 6.5 | 6.2 | 5.7 | 5.2 | 4.7 | 4.2 | 3.7 | 3.2 | 2.7 | 2.2 | 1.8 | 1.3 | 0.8 | 0.3 |



* 0.3 m at 108 l/min flow

The hydraulic characteristics are guaranteed, according to ISO standard 9906, grade 3B



franklinwater.eu

Franklin Electric S.r.l.
Via Asolo, 7 - 36031 Dueville (Vicenza) - ITALY
Phone: +39 0444 361114 - Fax: +39 0444 365247
Email: sales.it@fele.com

Single member - Company subject to the control and coordination of Franklin Electric Co., Inc.

Franklin Electric S.r.l. reserves the right to amend specification without prior notice.

00105046 EN_REV00_08/2020