

July, 2019

News No. 04/2019

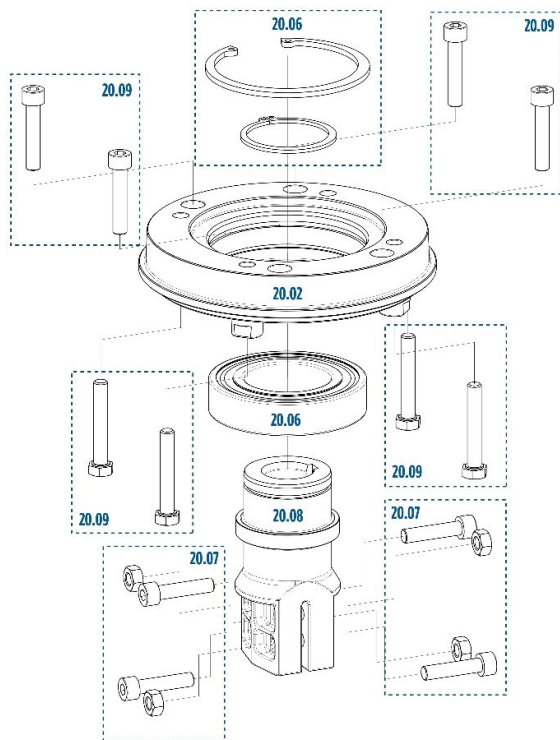
## Spare Part Modification for the Vertical Multistage Pump Series

Franklin Electric continuously develops its products to optimize them for all market conditions. Because the design of the Vertical Multistage Pump Series has been adjusted, the spare part kit has been modified and developed as well. Instead of many different items the spare part kit is now compact and fully assembled.

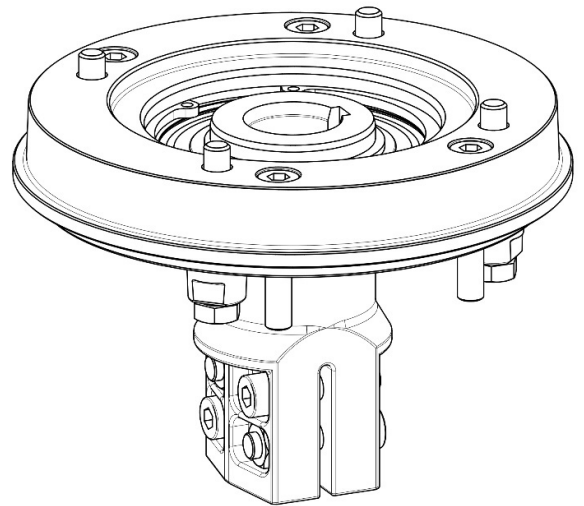
This modification will be effective for every EV pump model up to 4 kW.

In the new spare part kit the positions 20.02, 20.06, 20.07, 20.08 and 20.09 will be pre-assembled:

### Old Spare Parts (individual parts):



### New Spare Part Kit (fully assembled):



List of old and new codes:

**New spare part**

Code	Description	Part list
14266071	KIT MOTOR ADAPTER MEC71 IEC: POWER SIZE 0.37 kW up to 0.55 kW	COUPLING MEC. 71 MACH.+PAINTED
		BEARING 6206 2Z/C3
		ELASTIC RING EX. 30 UNI 7435
		ELASTIC RING INT.162 UNI 7437
		MOTOR FLANGE EV MEC71 MACHINED
		SCREW M6 X 30 UNI 5739 8.8
		SCREW M8 X 20 UNI 5931 A4-80
		SCREW M6 X 25 UNI 5931 8.8
		NUT M6 UNI 5588 10 ZINC

**Old spare part**

Pos.	code	Description	Note
20.08	522008006	Coupling	
20.06	14231003	Kit circlips, bearings and O-ring	O-ring removed
20.06	14231003	Kit circlips, bearings and O-ring	O-ring removed
20.06	14231003	Kit circlips, bearings and O-ring	O-ring removed
20.02	522002001	Motor flange	
20.09	14240013	Kit motor screws	
20.09	14240013	Kit motor screws	
20.07	14240017	Kit coupling washers and screws	
20.07	14240017	Kit coupling washers and screws	

**New spare part**

Code	Description	Part list
14266080	KIT MOTOR ADAPTER MEC80 IEC: POWER SIZE 0.75 kW up to 1.1 kW	COUPLING MEC. 80 MACH.+PAINTED
		BEARING 6206 2Z/C3
		ELASTIC RING EX. 30 UNI 7435
		ELASTIC RING INT.162 UNI 7437
		MOTOR FLANGE NEMA 56C/MEC80
		SCREW M6 X 30 UNI 5739 8.8
		SCREW M8 X 20 UNI 5931 A4-80
		SCREW M6 X 25 UNI 5931 8.8
		NUT M6 UNI 5588 10 ZINC

**Old spare part**

Pos.	code	Description	Note
20.08	522008007	Coupling	
20.06	14231003	Kit circlips, bearings and O-ring	O-ring removed
20.06	14231003	Kit circlips, bearings and O-ring	O-ring removed
20.06	14231003	Kit circlips, bearings and O-ring	O-ring removed
20.02	522002002	Motor flange	
20.09	14240013	Kit motor screws	
20.09	14240013	Kit motor screws	
20.07	14240017	Kit coupling washers and screws	
20.07	14240017	Kit coupling washers and screws	

**New spare part**

Code	Description	Part list
14266090	KIT MOTOR ADAPTER MEC90 IEC: POWER SIZE 1.5 kW up to 2.2 kW	COUPLING MEC. 90 MACH.+PAINTED
		BEARING 6207 2Z/C3
		ELASTIC RING EX. 35 UNI 7435
		ELASTIC RING INT. Ø72 UNI 7437
		MOTOR FLANGE MEC90
		SCREW M8 X 45 UNI 5739 8.8
		SCREW M8 X 30 UNI 5931 8.8
		SCREW M8 X 35 UNI 5931 8.8
		NUT M8 UNI 5588 10 ZINC

**Old spare part**

Pos.	code	Description	Note
20.08	522008008	Coupling	
20.06	14231004	Kit circlips, bearings and O-ring	O-ring removed
20.06	14231004	Kit circlips, bearings and O-ring	O-ring removed
20.06	14231004	Kit circlips, bearings and O-ring	O-ring removed
20.02	522002003	Motor flange	
20.09	14240014	Kit motor screws	
20.09	14240014	Kit motor screws	
20.07	14240018	Kit coupling washers and screws	
20.07	14240018	Kit coupling washers and screws	

**New spare part**

Code	Description	Part list
14266100	KIT MOT.ADAPTER MEC100/112 IEC: POWER SIZE 3 kW up to 4 kW	COUPLING MEC. 100/112
		BEARING 6210 2Z/C3
		ELASTIC RING EX. 50 UNI 7435
		ELASTIC RING INT.190 UNI 7437
		MOTOR FLANGE MEC100/112
		SCREW M8 X 50 UNI 5737 8.8
		SCREW M8 X 40 UNI 5931 8.8
		SCREW M8 X 35 UNI 5931 8.8
		NUT M8 UNI 5588 10 ZINC

**Old spare part**

Pos.	code	Description	Note
20.08	522008009	Coupling	
20.06	14231005	Kit circlips, bearings and O-ring	O-ring removed
20.06	14231005	Kit circlips, bearings and O-ring	O-ring removed
20.06	14231005	Kit circlips, bearings and O-ring	O-ring removed
20.02	522002004	Motor flange	
20.09	14240015	Kit motor screws	
20.09	14240015	Kit motor screws	
20.07	14240018	Kit coupling washers and screws	
20.07	14240018	Kit coupling washers and screws	

For further technical or commercial information, please contact your commercial or marketing contact at Franklin Electric / E-Tech.

*Maurizio De Angelis*  
Product Management