

December, 2017

News No. 16/2017

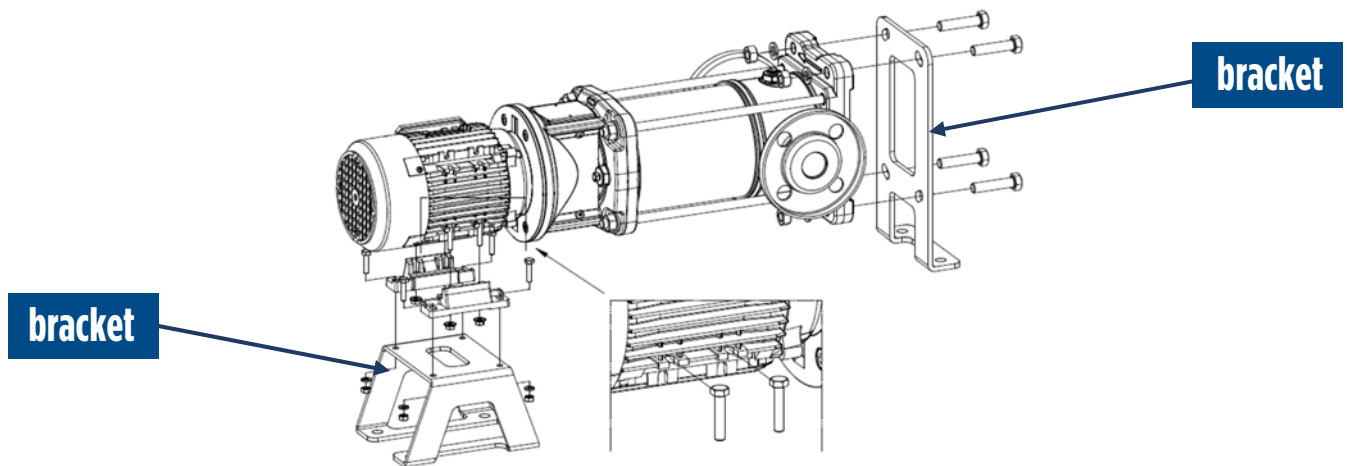
EV Vertical Multistage Pumps: New kit for horizontal mounting

Franklin Electric is pleased to introduce the new bracket for easy and secure horizontal mounting of EV pumps, available from 0,37 kW up to 22 kW. The new kit is the right choice for applications where high pressure pumping systems are necessary, but where there is not enough space for vertical mounting.

Depending on the pump power, there are two variants available:

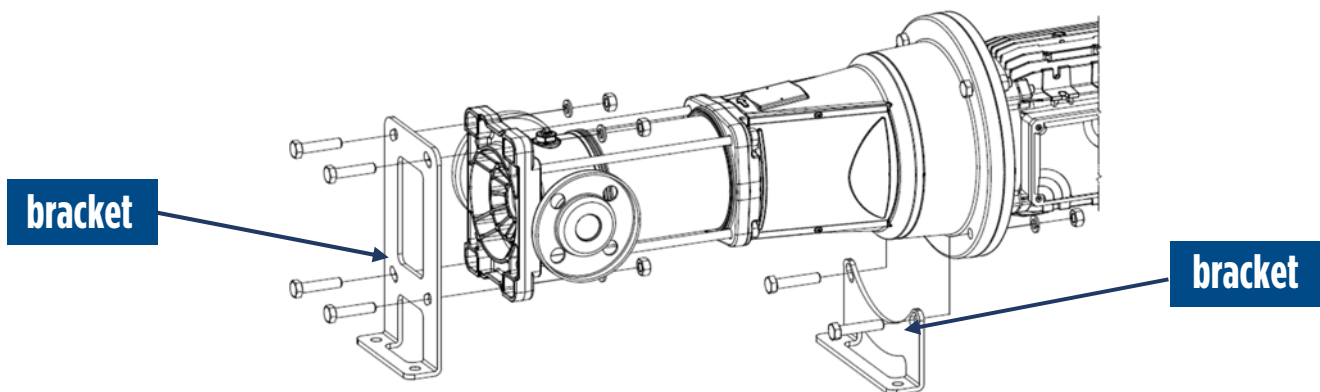
Design Kit for EV 1÷3÷6 from 0.37 kW up to 4 kW

Design Kit for EV 10÷15÷20 from 0.75 kW up to 4 kW



Design Kit for EV 1÷3÷6 from 5.5 kW up to 7.5 kW

Design Kit for EV 10÷15÷20 from 5.5 kW up to 22 kW



MODEL	POWER [kW]	MOTOR FRAME	BRACKET	FOOT
Kit horizontal mounting EV 1÷3÷6	0.37 ÷ 0.55	B14	14255001	14255101
Kit horizontal mounting EV 1÷3÷6	0.75 ÷ 1.1	B14	14255001	14255102
Kit horizontal mounting EV 1÷3÷6	1.5 ÷ 2.2	B14	14255001	14255103
Kit horizontal mounting EV 1÷3÷6	3.0 ÷ 4.0	B14	14255001	14255104
Kit horizontal mounting EV 1÷3÷6	5.5 ÷ 7.5	B5	14255001	14255105
Kit horizontal mounting EV 10÷15÷20	0.75 ÷ 1.1	B14	14255002	14255102
Kit horizontal mounting EV 10÷15÷20	1.5 ÷ 2.2	B14	14255002	14255103
Kit horizontal mounting EV 10÷15÷20	3.0 ÷ 4.0	B14	14255002	14255104
Kit horizontal mounting EV 10÷15÷20	5.5 ÷ 7.5	B5	14255002	14255105
Kit horizontal mounting EV 10÷15÷20	11.0 ÷ 22.0	B5	14255002	14255106

For further information such as technical catalogs and instruction manuals, please visit our website franklinwater.eu. For commercial information such as prices and lead times, please refer to the “Accessories” section in the price list or contact your commercial or marketing contact in Franklin Electric / E-Tech.

Maurizio De Angelis
Product Manager