



Accessories

Couplings

Application

Franklin Electric offers this line of motor-pump couplings for maximum customer convenience in matching the Franklin motor to a variety of pump shafts. Couplings are designed to transmit the pump thrust to the motor in order to provide maximum benefits from the Franklin internal thrust bearing construction.

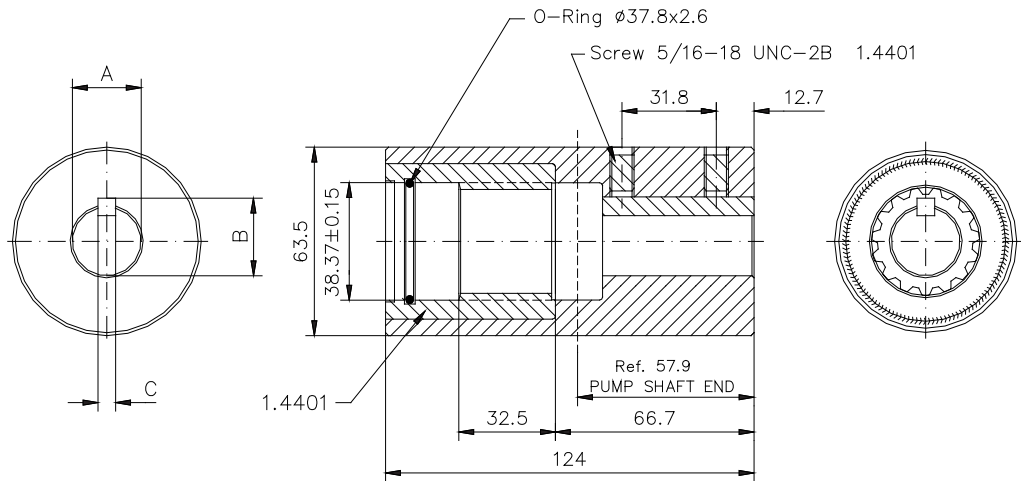
Hardened stainless steel spacer discs in the 4" and 6" couplings assure positive bearing between motor and pump shafts, and assure full support for downward thrust created by the pump.

8" couplings DO NOT contain hardened spacer discs, since the motor shaft itself is hardened.



8" Motor-Pump Couplings

Outline Drawing:



Ordering information

Part No.	Coupling Material DIN / AISI	Dimension A (mm) Max. / Min.	Dimension B (mm) Max. / Min.	Dimension C (mm) Max. / Min.
156 563 901	1.4005 (304)	25,425 / 25,413	28,27 / 28,17	6,38 / 6,32
156 563 921	1,4404 (316SS)			
156 563 902	1.4005 (304)	30,188 / 30,175	33,73 / 33,63	7,96 / 7,91
156 563 922	1,4404 (316SS)			
156 563 903	1.4005 (304)	31,775 / 31,763	35,36 / 35,26	7,96 / 7,91
156 563 923	1,4404 (316SS)	38,125 / 38,113		
156 563 904	1.4005 (304)	38,125 / 38,113	42,37 / 42,27	9,55 / 9,50
156 563 924	1,4404 (316SS)	38,125 / 38,113		
156 563 905	1.4005 (304)	19,085 / 19,063	20,70 / 20,52	4,84 / 4,79
156 563 906	1.4005 (304)	30,188 / 30,175	33,02 / 32,92	6,38 / 6,32
156 563 926	1,4404 (316SS)			
156 563 907	1.4005 (304)	22,250 / 22,238	24,54 / 24,36	6,43 / 6,38
156 563 908	1.4005 (304)	22,024 / 22,011	25,53 / 25,32	8,03 / 7,98
156 563 931	1,4404 (316SS)			
156 563 929	1,4404 (316SS)	42,888 / 42,850	47,12 / 47,04	9,55 / 9,50
156 563 909	1.4005 (304)	25,024 / 25,011	28,70 / 28,30	8,03 / 7,98
156 563 932	1,4404 (316SS)			